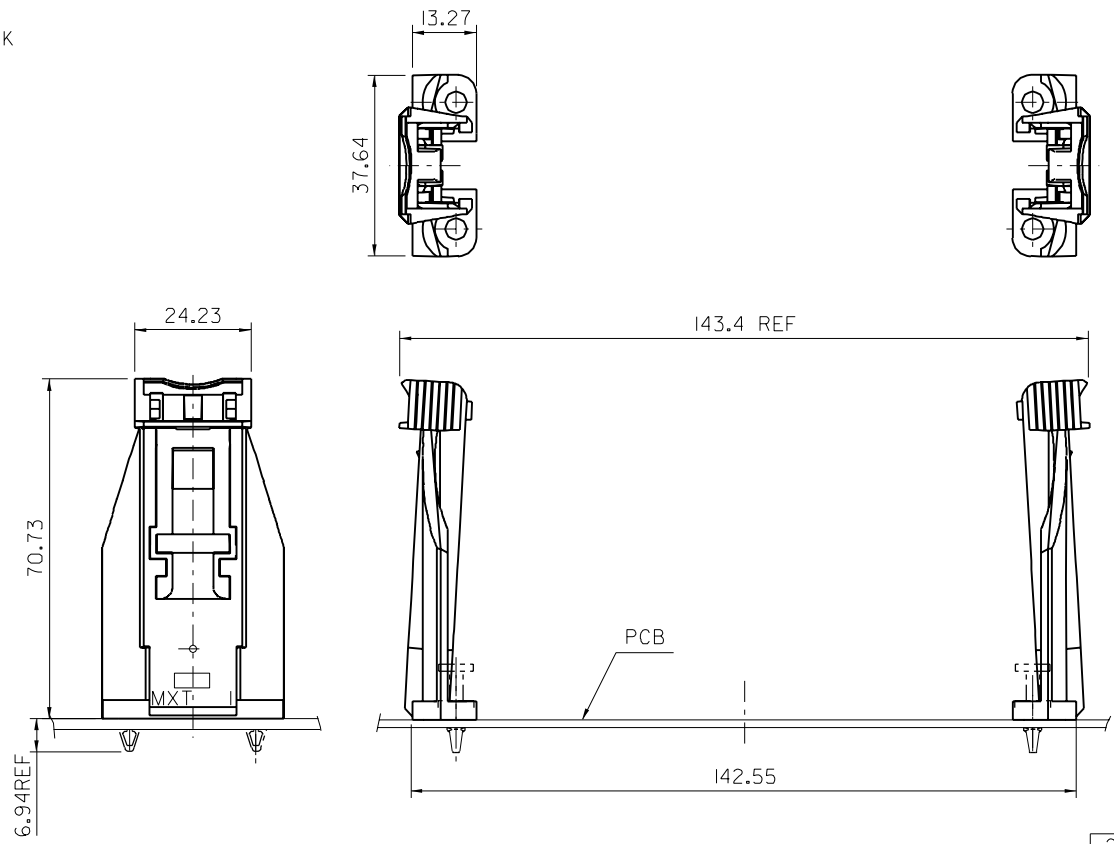


ENG. NO SEE CHART  
EDP NO.  
SIMILAR ITEM  
CADFILE NO. S6721002.S01  
DO NOT SCALE DRAWING

NOTE:  
1. MATERIAL :  
HOUSING : POLYCARBONATE COLOR : BLACK  
FASTENER PIN : NYLON  
FASTENER BODY : NYLON  
2. PRODUCT SPECIFICATION : NONE.  
3. SEE SHEET 2 FOR PC BOARD PATTERN  
AND ISOMETRIC ASSEMBLY VIEW.



2	A
1	A
SHT	REV
REVISE ON CAD ONLY	

RTM EC NO. T 1999-0142 DRWN: SSHIN '98/11/26 CHK: RYANG '98/11/27 APPR: MEGA '98/11/27	QUALITY SYMBOLS MAJOR $\blacktriangledown = 0$ CRITICAL $\nabla = 0$	GENERAL TOLERANCES: (UNLESS SPECIFIED)	SCALE 1:1 DESIGN UNITS <input checked="" type="checkbox"/> mm <input type="checkbox"/> INCH	DRAWN BY & DATE SSHIN '98/8/03 CHECKED BY & DATE	THIRD ANGLE PROJECTION <input checked="" type="checkbox"/> mm <input type="checkbox"/> INCH <input type="checkbox"/> mm <input type="checkbox"/> ONLY	TITLE: SALES DRAWING OF UNIVERSAL RETENTION MODULE PLASTIC FASTENER																	
	MAJOR DESCRIPTION CRITICAL DESCRIPTION	<table border="1"> <tr> <th></th> <th>mm</th> <th>INCH</th> </tr> <tr> <td>4 PLACES</td> <td><math>\pm 0.</math></td> <td><math>\pm .</math></td> </tr> <tr> <td>3 PLACES</td> <td><math>\pm 0.</math></td> <td><math>\pm .</math></td> </tr> <tr> <td>2 PLACES</td> <td><math>\pm 0.25</math></td> <td><math>\pm 0.10</math></td> </tr> <tr> <td>1 PLACE</td> <td><math>\pm 0.25</math></td> <td><math>\pm 0.10</math></td> </tr> </table>		mm	INCH	4 PLACES	$\pm 0.$	$\pm .$	3 PLACES	$\pm 0.$	$\pm .$	2 PLACES	$\pm 0.25$	$\pm 0.10$	1 PLACE	$\pm 0.25$	$\pm 0.10$	ANGLUAR: +3°	DRAWN BY & DATE APPROVED BY & DATE	MOLEX MOLEX INCORPORATED	CAD FILENAME S6721002.S01	MATERIAL NO. SEE CHART	DRAWING NO. SD-67210-002
	mm	INCH																					
4 PLACES	$\pm 0.$	$\pm .$																					
3 PLACES	$\pm 0.$	$\pm .$																					
2 PLACES	$\pm 0.25$	$\pm 0.10$																					
1 PLACE	$\pm 0.25$	$\pm 0.10$																					
A	REV	DRAFT WHERE APPLICABLE MUST REMAIN WITHIN DIMENSIONS		THIS DRAWING CONTAINS INFORMATION THAT IS PROPRIETARY TO MOLEX INCORPORATED AND SHOULD NOT BE USED WITHOUT WRITTEN PERMISSION.				SIZE A3															

ENG. NO. SEE CHART

EDP NO.

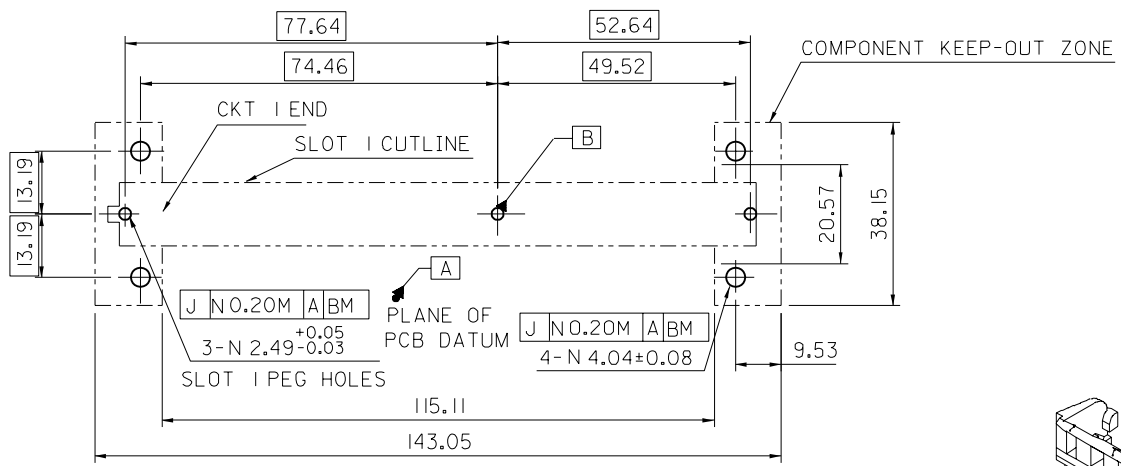
SIMILAR ITEM

CAD FILE NO. S6721002.S02

DO NOT SCALE DRAWING

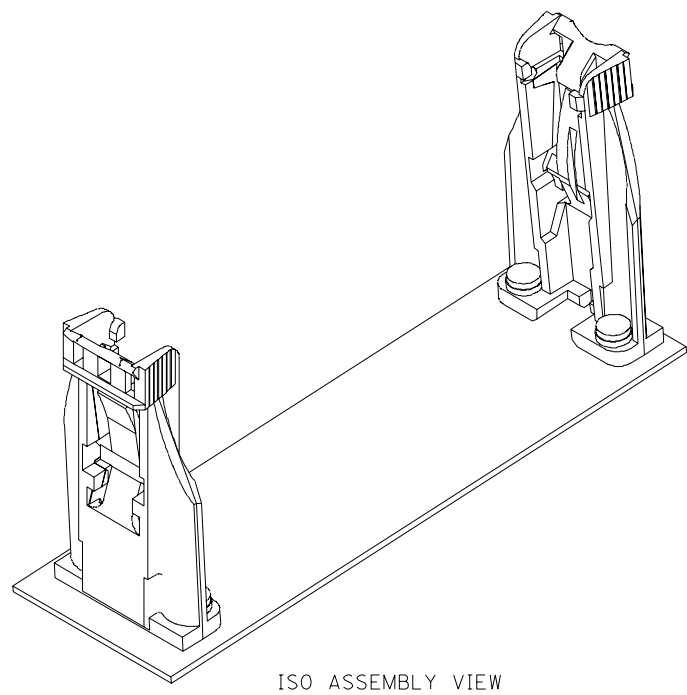
8 7 6 5 4 3 2 1

F  
E  
D  
C  
B  
A



RECOMMENDED PCB LAYOUT  
CONNECTOR SIDE

MATERIAL NUMBER	PACKING STYLE
67210-0006	INDIVIDUAL BAG (2 PCS/BAG)
67210-1006	BULK BAG (40 PCS/BAG)



ISO ASSEMBLY VIEW

RTM EC NO. T1999-0142 DRWN: SSHIN '98/11/26 CHK: RYANG '98/11/27 APPR: MEGA '98/11/27	QUALITY SYMBOLS MAJOR $\blacktriangledown = 0$ CRITICAL $\blacktriangle = 0$	GENERAL TOLERANCES: (UNLESS SPECIFIED)	SCALE 1:1 DESIGN UNITS <input checked="" type="checkbox"/> mm <input type="checkbox"/> INCH	THIRD ANGLE PROJECTION	DIMENSIONS: <input type="checkbox"/> mm <input type="checkbox"/> INCH <input type="checkbox"/> mm ONLY	SHT   REV REVISE ON CAD ONLY
	DESCRIPTION A	4 PLACES $\pm 0.$ $\pm .$ 3 PLACES $\pm 0.$ $\pm .$ 2 PLACES $\pm 0.25$ $\pm 0.10$ 1 PLACE $\pm 0.25$ $\pm 0.10$	DRAWN BY & DATE SSHIN '98/8/03 CHECKED BY & DATE APPROVED BY & DATE	TITLE: SALES DRAWING OF UNIVERSAL RETENTION MODULE PLASTIC FASTENER	MOLEX INCORPORATED	MATERIAL NO. SEE CHART
REV A	DRAFT WHERE APPLICABLE MUST REMAIN WITHIN DIMENSIONS	ANGULAR: $\pm 3^\circ$	CAD FILENAME S6721002.S02	SHEET NO. 2	THIS DRAWING CONTAINS INFORMATION THAT IS PROPRIETARY TO MOLEX INCORPORATED AND SHOULD NOT BE USED WITHOUT WRITTEN PERMISSION.	SIZE A3